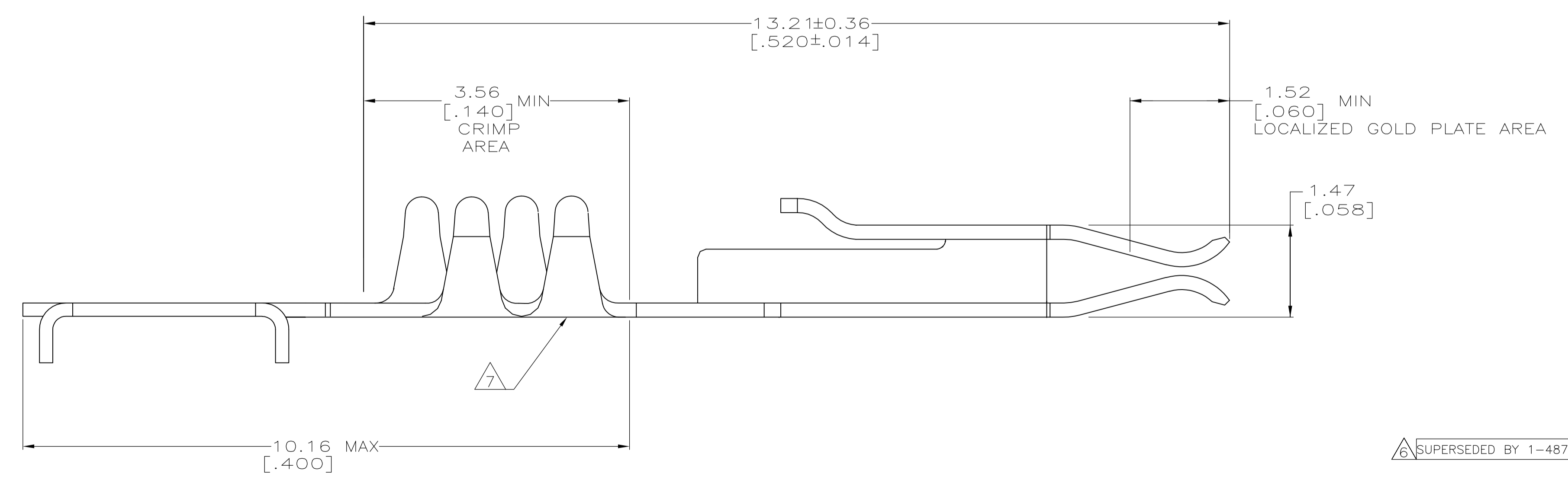
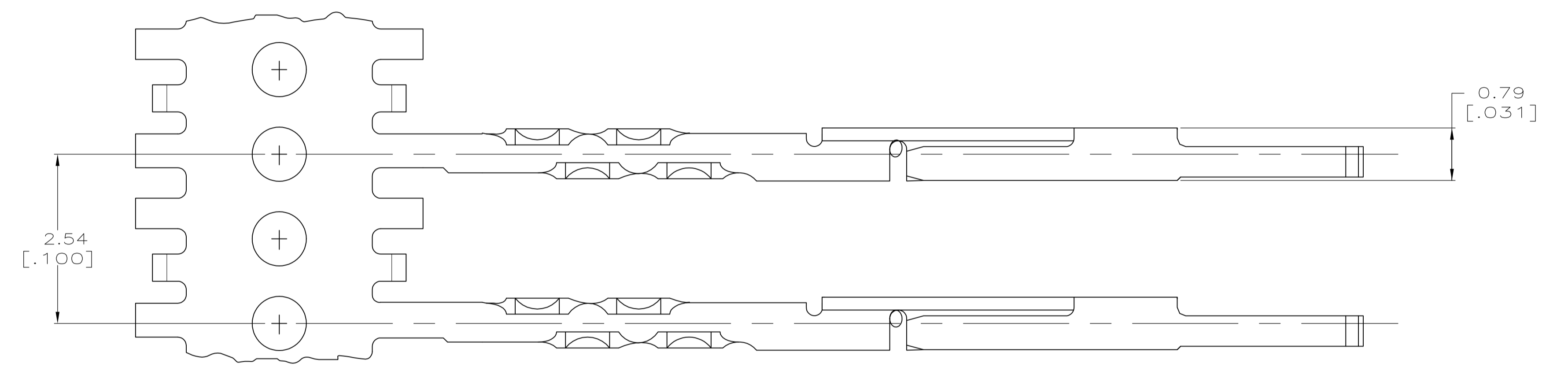
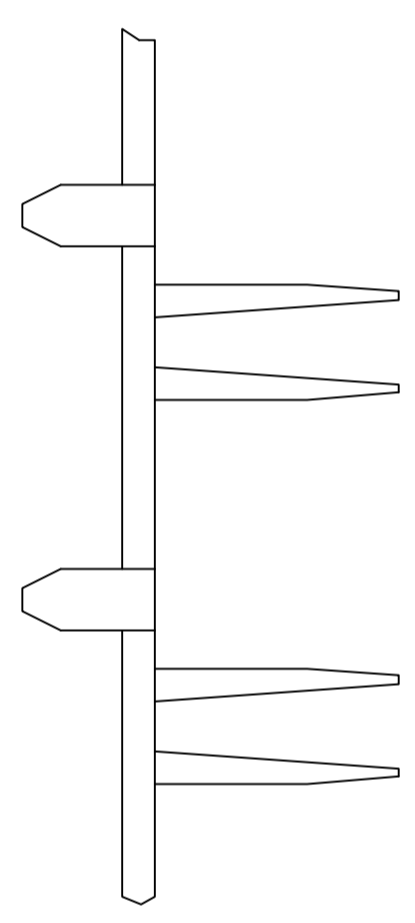


LOC		DIST		REVISIONS			
GP	00	REV	DATE	BY	CHK	APPV	
R	REVISED PER ECO-11-006941		28JUL2011	CJV	CWR		

- ⚠ 0.76µm[.000030] MIN GOLD ON LOCALIZED GOLD PLATE AREA, 2.54µm[.000100] MIN TIN-LEAD ON CRIMP AREA, BOTH OVER 1.27µm[.000050] MIN NICKEL ON ENTIRE CONTACT,  
-OR-  
GOLD FLASH OVER PALLADIUM-NICKEL, 0.76µm[.000030] MIN TOTAL THK ON LOCALIZED GOLD PLATE AREA, 2.54µm[.000100] MIN TIN-LEAD ON CRIMP AREA, BOTH OVER 1.27µm[.000050] MIN THK NICKEL UNDERPLATE ON ENTIRE CONTACT.
- ⚠ 0.38µm[.000015] MIN GOLD ON LOCALIZED GOLD PLATE AREA, 2.54µm[.000100] MIN TIN-LEAD ON CRIMP AREA, BOTH OVER 1.27µm[.000050] MIN NICKEL ON ENTIRE CONTACT,  
-OR-  
GOLD FLASH OVER PALLADIUM-NICKEL, 0.38µm[.000015] MIN TOTAL THK ON LOCALIZED GOLD PLATE AREA, 2.54µm[.000100] MIN TIN-LEAD ON CRIMP AREA, BOTH OVER 1.27µm[.000050] MIN THK NICKEL UNDERPLATE ON ENTIRE CONTACT.
- 3. ACCEPTS 0.38±0.03[.015±.001] SQUARE POST, 3.18-8.89[.125-.350] LONG.
- ⚠ 0.76µm[.000030] MIN GOLD ON LOCALIZED GOLD PLATE AREA, GOLD FLASH IN CRIMP AREA, BOTH OVER 1.27µm[.000050] MIN NICKEL ON ENTIRE CONTACT,  
-OR-  
GOLD FLASH OVER PALLADIUM-NICKEL, 0.76µm[.000030] MIN TOTAL THK ON LOCALIZED GOLD PLATE AREA, GOLD FLASH IN CRIMP AREA, BOTH OVER 1.27µm[.000050] MIN THK NICKEL UNDERPLATE ON ENTIRE CONTACT.
- ⚠ 0.38µm[.000015] MIN GOLD ON LOCALIZED GOLD PLATE AREA, GOLD FLASH IN CRIMP AREA, BOTH OVER 1.27µm[.000050] MIN NICKEL ON ENTIRE CONTACT,  
-OR-  
GOLD FLASH OVER PALLADIUM-NICKEL, 0.38µm[.000015] MIN TOTAL THK ON LOCALIZED GOLD PLATE AREA, GOLD FLASH IN CRIMP AREA, BOTH OVER 1.27µm[.000050] MIN THK NICKEL UNDERPLATE ON ENTIRE CONTACT.
- ⚠ OBSOLETE PARTS: OBSOLETE CIS STREAMLINING PER D.RENAUD/D.SINISI
- ⚠ GOLD PLATING MAY OR MAY NOT BE PRESENT ON BOTTOM OF THE CRIMP BARREL.



7	5	1-487547-2
7	4	1-487547-1
2		487547-9
1		487547-1
FINISH		PART NUMBER

⚠ SUPERSEDED BY 1-487547-2

THIS DRAWING IS A CONTROLLED DOCUMENT.		DIN L.SIPE 05/05/92	TE Connectivity	
DIMENSIONS: mm [INCHES]		CHK R.STONE 5-13-92	CONTACT, RECEPTACLE, .050 C/L, FFC	
TOLERANCES UNLESS OTHERWISE SPECIFIED:		APVD -	PRODUCT SPEC 108-16022	
0. PLC ± -	1. PLC ± -	NAME	APPLICATION SPEC 114-16008	
2. PLC ± 0.13 [0.005]	3. PLC ± 0.013 [0.0005]	SIZE	CAGE CODE	DRAWING NO
4. PLC ± -	ANGLES ± -	114-16008	A1	00779
MATERIAL 0.216 [0.0085] THICK PHOSPHOR BRONZE	FINISH SEE TABLE	WEIGHT -	C=487547	
		CUSTOMER DRAWING	SCALE 20:1	SHEET 1 OF 1